

LOKK•LATCH® DELUXE

Series 2

NOW EVEN QUICKER AND EASIER TO INSTALL!

**NEW
DESIGN!**

Our customers asked for it, now it has arrived... D&D Technologies' new Lokk•Latch® DELUXE 'Series 2' is even better value, with a number of design improvements making it stronger, more reliable and easier to install.

• **EASIER INSTALLATION**

A pre-marked push rod takes the hassle out of cutting the connector to the required length, and a new collar makes aligning the push rod through the hole in the post easy!

• **STRONGER & MORE DURABLE**

A redesigned housing and reinforced ribbing deliver optimum strength and reliability.

• **REDUCED CALLBACKS**

Improved reliability means fewer callbacks, happier customers & more profit!

*No more need
for hand holes
or padlocks!*



Lockable, External Access button opens the latch from the street side



A new pre-measured push rod takes the hassle out of cutting to the right length!



D&D Technologies

Hi-Performance Hardware



Suitable for mounting on wood or metal

HEAVY DUTY SECURITY, EASY INSTALLATION

Lokk•Latch® DELUXE 'Series 2' represents a step forward in gravity latch design.

Designed to fit gates and fences made from any materials, the new Lokk•Latch® DELUXE 'Series 2' is now even easier to install, and its tough, 100% rust-free construction makes it a great solution for a wide variety of security gate applications.

Suitable for fence posts ranging from 38-150mm in depth, it includes side-fixing legs, which add strength and also make aligning the latch on the post easy.

The 'External Access Kit' (push-button) allows easy operation from both sides of a gate. It requires only one drill-hole through the post to connect the two units for full functionality. The connecting push rod is conveniently marked so it can be easily cut to the right length for your post.

Lokk•Latch® DELUXE 'Series 2' also features dual 6-pin locks that can be easily re-keyed by a locksmith to match most household doors, and is backed by D&D Technologies' limited Lifetime Warranty.

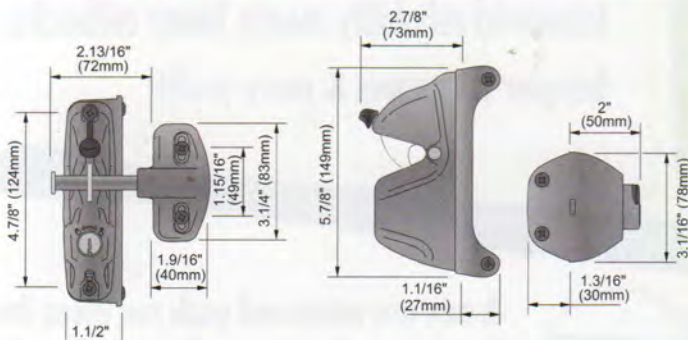
Features

- Tough, glass-reinforced polymer construction
- Key lockable latch (dual cylinders)
- Stainless Steel latching tongue
- Alignment legs and pre-marked push rod
- External Access Push Button

Benefits

- Strong & 100% rust proof
- No more padlocks
- Smooth, reliable latching action
- Easy to install
- Operates from both sides of gate

LOKK•LATCH® DELUXE SPECIFICATIONS



Code

LLDAB Latch + EAK

Applications

For Privacy & Security Gates

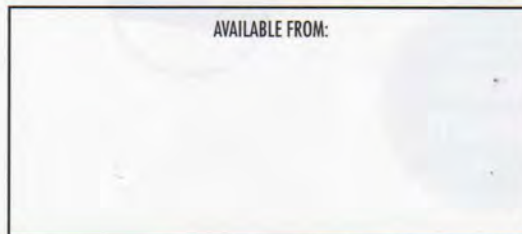
Color

Black

Description: A high-quality security and privacy gate latch for metal and wood gates. Special, longer side-fixing legs provide extra strength and easy fitting alignment. The latch features strong, moulded polymer construction with stainless steel components for a long, rust-free life.

The Lokk•Latch® DELUXE 'Series 2' combines the unique benefits of key-lockability and reliable latching tongue action with superior design and quality components. Installation is now even easier with refined collar and housing as well as a pre-measured Push Rod. The standard inclusion of an External Access Kit (Push-Button) allows the gate to be opened and locked from either side of the fence.

AVAILABLE FROM:



D&D Technologies P/L,
Unit 6, 4-6 Aquatic Drive
Frenchs Forest, NSW 2086
Tel: 1800 500 203
E-mail: sales@ddtech.com.au
www.ddtechglobal.com